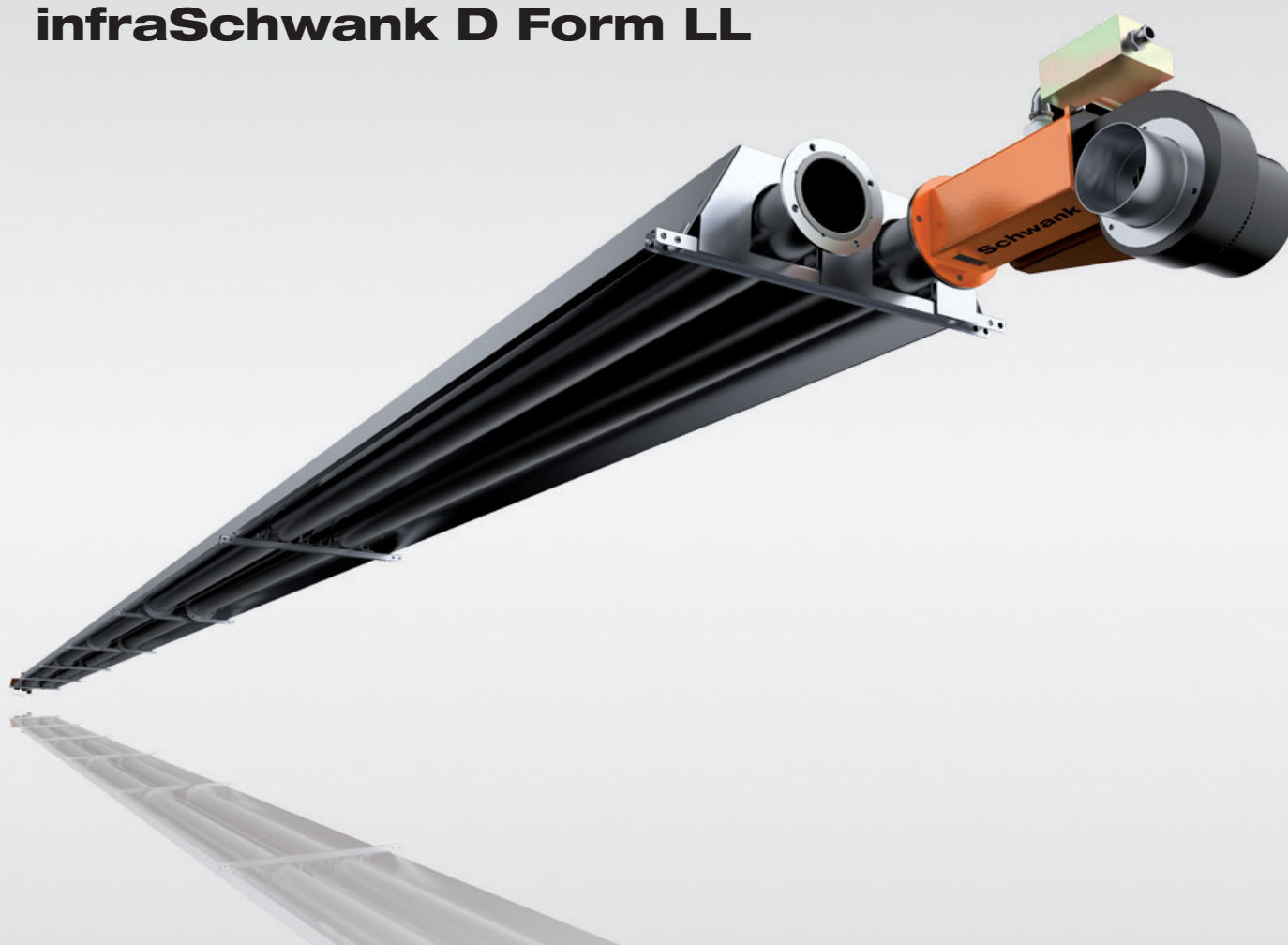


The Benchmark of Energy Efficiency

Infrared Tube Heater

infraSchwank D Form LL



Now also with
modulating operation



Schwank
INNOVATIVE HEATING SOLUTIONS

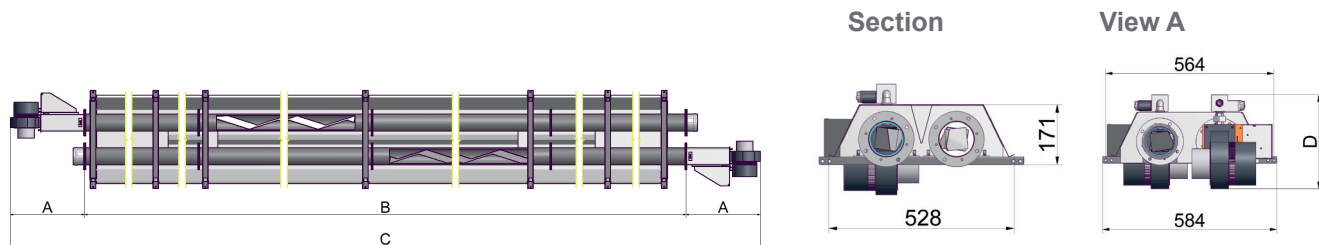


Infrared Tube Heater - infraSchwank D Form LL

- Radiant factor of up to 59,3%*
- Available as single stage, 2-stage or fully modulating version
- Long laminar flame
- Pressure burner system Whisper-Jet for stand-alone systems

- Quiet as a whisper
- Quality „Made in Germany“
- Quick and easy assembly

* Radiant factor of an infraSchwank 30 U measured by DVGW laboratory according to DIN EN 416-2



Dimensions [in mm]		80 LL	100 LL	120 LL												
A		445	470	470												
B		13620	18000	19490												
Dimension B refers to: [numbers of tubes x length of tubes in mm]																
C		14510	18940	20430												
D		291	308	308												
Gas		80 LL	100 LL	120 LL												
Natural gas H / G 20 [H _{i,n} = 9,97 kWh/m ³]	gas input in kW	78,0	98,0	120,0												
	gas consumption in m ³ /h	7,82	9,82	12,04												
Natural gas L / G 25 [H _{i,n} = 8,57 kWh/m ³]	gas input in kW	78,0	98,0	120,0												
	gas consumption in m ³ /h	9,10	11,44	14,0												
Propane / G 31 [H _{i,n} = 12,87 kWh/kg]	gas input in kW	78,0	98,0	120,0												
	gas consumption in kg/h	6,06	7,62	9,32												
weight in kg		165	225	245												
air/exhaust connection in mm		Ø 100														
electrical consumption in W		208	182	182												
electrical protection		IP 20														
gas connection [female]		R ³ / ₄ "	R ³ / ₄ "	R ³ / ₄ "												
electrical supply in V		230 V / 50 Hz ~														
ignition and control		spark ignition and ionisation electrode run by automatic controller														
CE-Identification		CE-0085BO0037														
Appliance		Min. connection pressure														
■ as single heater with individual fan		<table border="1"> <thead> <tr> <th></th> <th>80 LL - 100 LL</th> <th>120 LL</th> </tr> </thead> <tbody> <tr> <td>Nat. gas H:</td> <td>15 mbar</td> <td>20 mbar</td> </tr> <tr> <td>Nat. gas L:</td> <td>20 mbar</td> <td>30 mbar</td> </tr> <tr> <td>Propane:</td> <td>40 mbar</td> <td>40 mbar</td> </tr> </tbody> </table>				80 LL - 100 LL	120 LL	Nat. gas H:	15 mbar	20 mbar	Nat. gas L:	20 mbar	30 mbar	Propane:	40 mbar	40 mbar
	80 LL - 100 LL	120 LL														
Nat. gas H:	15 mbar	20 mbar														
Nat. gas L:	20 mbar	30 mbar														
Propane:	40 mbar	40 mbar														
■ as system D [herringbone system], several heaters with central flue fan																
Air/exhaust requirements		Max. connection pressure														
■ for indoor dependent operation [Art. B]		Nat. gas and propane: 60 mbar														
■ for indoor independent operation [Art. C]																

InfraDLL/2SENV1.0313 [Subject to technical changes]



United Kingdom

Schwank Ltd
Suite 21, 50 Churchill
Square Business Centre,
Kings Hill, West Malling,
Kent ME19 4YU
Tel.: +44 (0) 208 641 3900
Fax: +44 (0) 208 641 2594
E-mail: sales@schwank.co.uk
Internet: www.schwank.co.uk

Ireland

Eurogas Ltd
Unit 38B, Southern Cross
Bus Pk, Boghall Road
Bray, Co Wicklow
Tel.: +353 1 286 8244
Fax: +353 1 286 1729
E-mail: info@eurogas.ie
Internet: www.eurogas.ie

Australia

Devex Systems Pty Limited
5/83 Bassett St
Mona Vale NSW 2103
Tel.: +61 02 9997 2811
Fax: +61 02 9997 7852
E-mail: info@devexsystems.com.au
Internet: www.devexsystems.com.au

New Zealand

Energy Products Int.
30 Gallagher Drive,
Frankton, Hamilton
Tel.: +64 7 839 2705
Fax: +64 7 834 4212
E-mail: sales@energy-products.co.nz
Internet: www.energy-products.co.nz